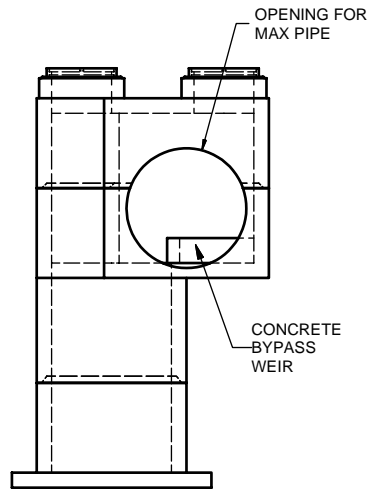
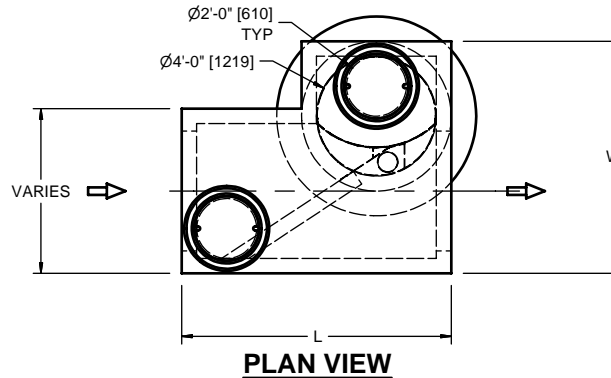
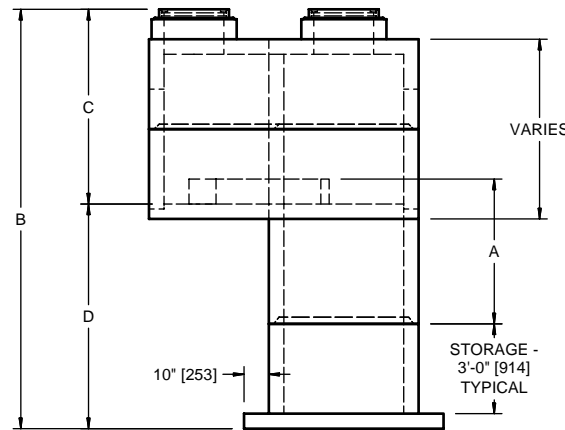


This CADD file is for the purpose of specifying stormwater treatment equipment to be furnished by Stormwater360 and may only be transferred to other documents exactly as provided by Stormwater360. Title block information, **excluding** the Stormwater360 logo and the VortCapture Stormwater Treatment System designation and patent pending, may be deleted if necessary. Revisions to any part of this CADD file without prior coordination with Stormwater360 shall be considered unauthorized use of proprietary information.

THE VORTCAPTURE SECTION SHALL BE STENCILED WITH THE STORMWATER360 NAME AND LOGO. PIPE OPENINGS SHALL BE STENCILED "INLET" OR "OUTLET" AS APPROPRIATE



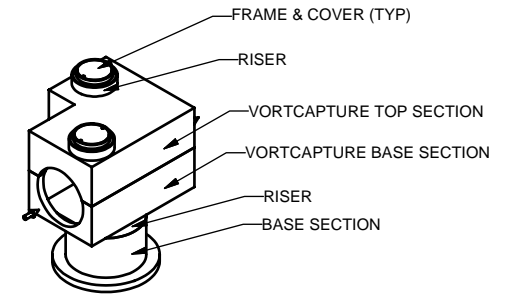
LEFT SIDE VIEW



ELEVATION VIEW
(ALUMINUM COMPONENTS OMITTED FOR CLARITY)

NOTES:

1. STORMWATER TREATMENT SYSTEM (SWTS) SHALL BE DESIGNED TO MEET PERFORMANCE GOALS BASED ON FULL SCALE LABORATORY PERFORMANCE DATA
2. SWTS SHALL BE DESIGNED TO RETAIN FLOATABLES AND TRAPPED SEDIMENT AT FLOW RATES UP TO AND INCLUDING PEAK TREATMENT CAPACITY
3. SWTS INVERTS IN AND OUT SHALL BE AT THE SAME ELEVATION
4. SWTS SHALL NOT BE COMPROMISED BY EFFECTS OF DOWNSTREAM TAILWATER
5. SWTS SHALL HAVE NO INTERNAL COMPONENTS THAT OBSTRUCT MAINTENANCE ACCESS
6. PIPE ORIENTATION MAY VARY; SEE SITE PLAN FOR SIZE AND LOCATION
7. PURCHASER SHALL NOT BE RESPONSIBLE FOR ASSEMBLY OF INTERNAL COMPONENTS
8. (2) MANHOLE FRAMES AND COVERS SUPPLIED WITH SYSTEM, NOT INSTALLED
9. PURCHASER TO PREPARE EXCAVATION AND PROVIDE LIFTING EQUIPMENT
10. CONTACT STORMWATER360 AT (877) 907-8676 FOR SIZING AND ORDERING INFORMATION



ASSEMBLED VIEW

**FOR INFORMATIONAL PURPOSES ONLY
NOT INTENDED FOR CONSTRUCTION**

VortCapture Model (VC)	Manhole Diameter (ID)		Approximate Outside Maximum Dimensions of VortCapture Section		Total Treatment Depth		Typical Total Outside Height		Typical Total Distance Rim to Invert		Typical Depth Below Invert		Approximate Minimum Distance Rim to Invert		Maximum Pipe Diameter (ID)	
	ft	mm	ft	mm	ft	mm	ft	mm	ft	mm	ft	mm	ft	mm	in	mm
VC40 HF	4	1200	9.0 x 7.75	2743 x 2362	4.5	1372	14.00	4267	6.50	1981	7.50	2286	5.50	1676	36	900
VC50 HF	5	1500	10 x 9.0	3084 x 2743	5.63	1716	15.58	4749	7.08	2158	8.50	2591	6.08	1853	42	1050
VC60 HF	6	1800	11.08 x 10.83	3377 x 3302	6.75	2057	17.00	5182	7.75	2362	9.25	2819	6.75	2057	48	1200
VC70 HF	7	2100	11.17 x 12.42	3405 x 3785	7.88	2402	19.50	5944	9.00	2743	10.50	3200	8.00	2438	60	1500
VC80 HF	8	2400	10.75 x 13.0	3277 x 3962	9.00	2743	20.17	6148	9.17	2795	11.00	3353	8.17	2490	60	1500
VC100 HF	10	3000	12.58 x 15.83	3834 x 4827	11.25	3429	23.83	7263	10.33	3149	13.50	4115	9.33	2844	72	1800
VC120 HF	12	3600	14.0 x 16.92	4268 x 5157	13.50	4115	25.50	7772	10.50	3200	15.00	4572	9.50	2896	72	1800

TYPICAL DETAIL WITH SIZING TABLE
STORMWATER TREATMENT SYSTEM
VORTCAPTURE™ HF PATENT PENDING



www.stormwater360.com

SCALE: NONE
DRAWN: JBS
CHECKED: NDG
FILE NAME: TYPTBLVCHF
DATE: 12/8/05