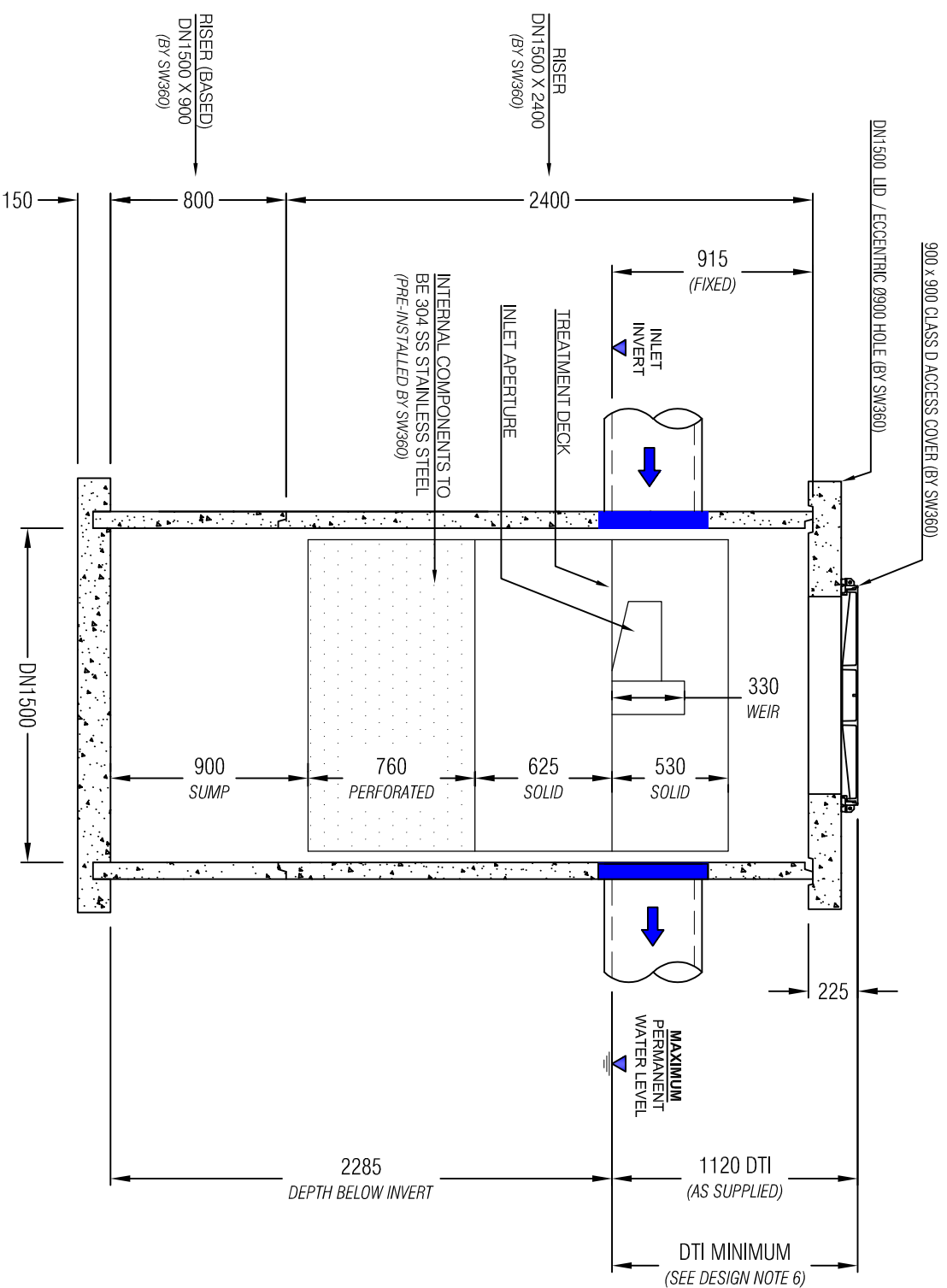
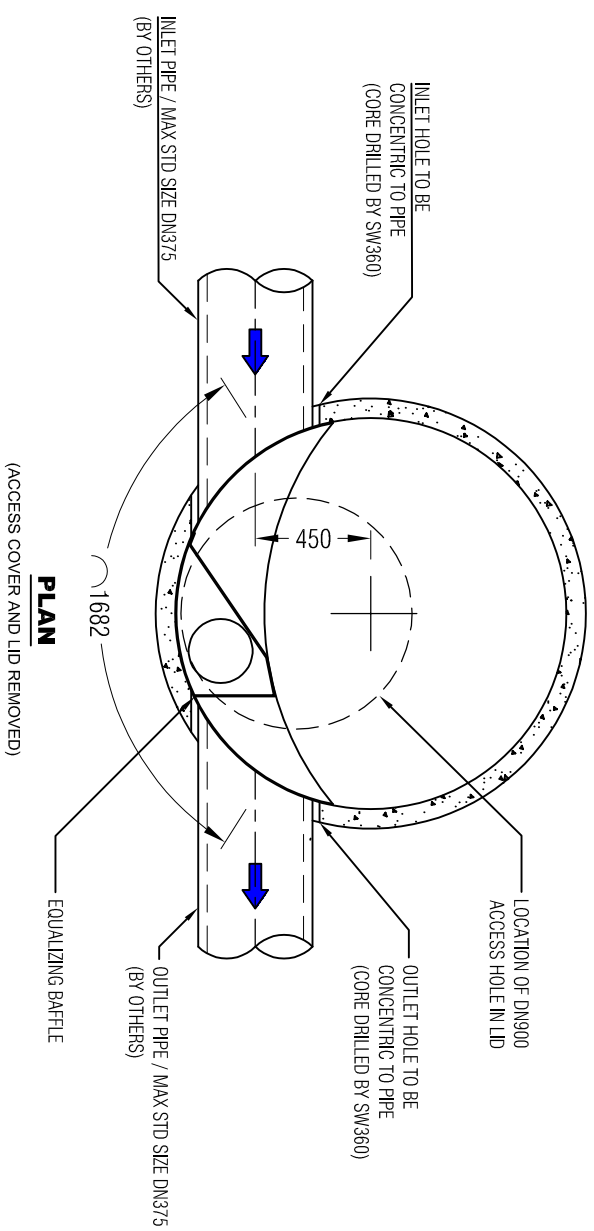


TO BE COMPLETED BY CUSTOMER / CONTRACTOR

COMPANY :	P.O. NUMBER :	
SITE ADDRESS :		
SITE CONTACT & PHONE :		
PREFERRED DELIVERY DATE (TBC SW360) :		
FILTER REFERENCE (IF APPLICABLE) :	LID LEVEL (INPUT REQUIRED) :	
IN / OUT PIPE DATA: DN375 (max)	IL :	MATERIAL :
COMPLETED BY :	SIGNED :	DATE :



GENERAL NOTES

1. MANHOLE COMPONENTS AND CONCRETE LID FITTED WITH SWIFTLIFT ANCHOR POINTS. SPREADER BAR RECOMMENDED FOR MANHOLE LIFTS.
2. UNIT SUPPLIED WITH INLET AND OUTLET HOLES CORE DRILLED.
3. SEALING / GROUTING OF MANHOLE COMPONENTS AND PIPES BY CONTRACTOR. ENSURING LOCAL CODES AND REGULATIONS ARE COMPLIED WITH.
4. ANY RISERS REQUIRED TO INCREASE THE DEPTH TO INVERT (DTI) FROM THAT AS DRAWN TO BE SUPPLIED BY THE CONTRACTOR.
5. FOR A DTI EXCEEDING 3m PLEASE CONTACT **0800STORMWATER**.
6. CONTRACTOR TO TAKE APPROPRIATE MEASURES TO PROTECT DEVICE FROM CONSTRUCTION RELATED EROSION RUNOFF.
7. BACKFILL, BEDDING AND BUOYANCY DESIGN BY ENGINEER OF RECORD.
8. CONCRETE MANHOLE RISERS ARE DESIGNED AND MANUFACTURED IN ACCORDANCE WITH AS/NZS 4088 : 2007
9. CONCRETE MANHOLE BASES ARE DESIGNED AND MANUFACTURED IN ACCORDANCE WITH NZS 3101 : 2006 & NZS 3109 : 1997
10. CONCRETE LID DESIGNED AND MANUFACTURED TO HN-HC-72
11. FOR REQUIREMENTS OUTSIDE OF DRAWING SPECIFICATIONS PLEASE CONTACT **0800STORMWATER**.

DESIGN NOTES - VC50 (OFF-LINE)

1. WATER QUALITY FLOW THROUGH THE VORTCAPTURE IS A FUNCTION OF TREATMENT REQUIREMENTS (POLLUTANT SIZE), DEVICE LOCATION AND TREATMENT AREA. PLEASE CONTACT **0800STORMWATER** FOR ASSISTANCE IN SELECTING THE MOST SUITABLE SIZE.
2. MAXIMUM HYDRAULIC TREATMENT CAPACITY OF THE VC50 IS 69 L/s.
3. NO PEAK FLOW TO BE PASSED THROUGH THIS OFF-LINE CONFIGURED DEVICE. AN UPSTREAM BYPASS STRUCTURE IS REQUIRED. REFER TO THE ON-LINE CONFIGURED OPTION TO ACCOMMODATE PEAK FLOWS. CONTACT **0800STORMWATER** FOR DESIGN CLARIFICATION / ASSISTANCE.
4. CUSTOM DESIGNS AVAILABLE TO SUIT SITE SPECIFIC CONSTRAINTS. CONTACT **0800STORMWATER** FOR ASSISTANCE.
5. 90 DEGREE ORIENTATION AND REVERSE FLOW DIRECTION AVAILABLE ON REQUEST.
6. MIN DEPTH TO INVERT WILL BE GOVERNED EITHER BY A MINIMUM DISTANCE OF 300MM FROM CORE HOLE OUTSIDE TO RISER TOP, OR A MIN OF 50MM FROM TOP OF STAINLESS INTERNALS TO UNDERSIDE OF LID, WHICHEVER IS GREATER.

APPROX WEIGHTS

DN1500 X 900 MHB: 2000 Kg
 DN1500 X 2400 RISER (INCL INSERT): 2500 Kg
 DN1500 CONCRETE LID: 900 Kg



0800 STORMWATER
 sales@stormwater360.co.nz
 www.stormwater360.co.nz

CONDITION OF USE
 © STORMWATER360 2020
 Any unauthorised reproduction of this drawing in part or in full is prohibited

VORTCAPTURE™
GROSS POLLUTANT TRAP
VC50 / DN1500 / FOR OFF-LINE CONFIGURATION
GENERAL ARRANGEMENT

JOB NO. :	REV :	REVISION DETAIL :	DATE :
PROJECT :	0	APPROVED	30/09/20
DRN : G.S.	03/09/20		
CKD : K.J.	28/09/20		