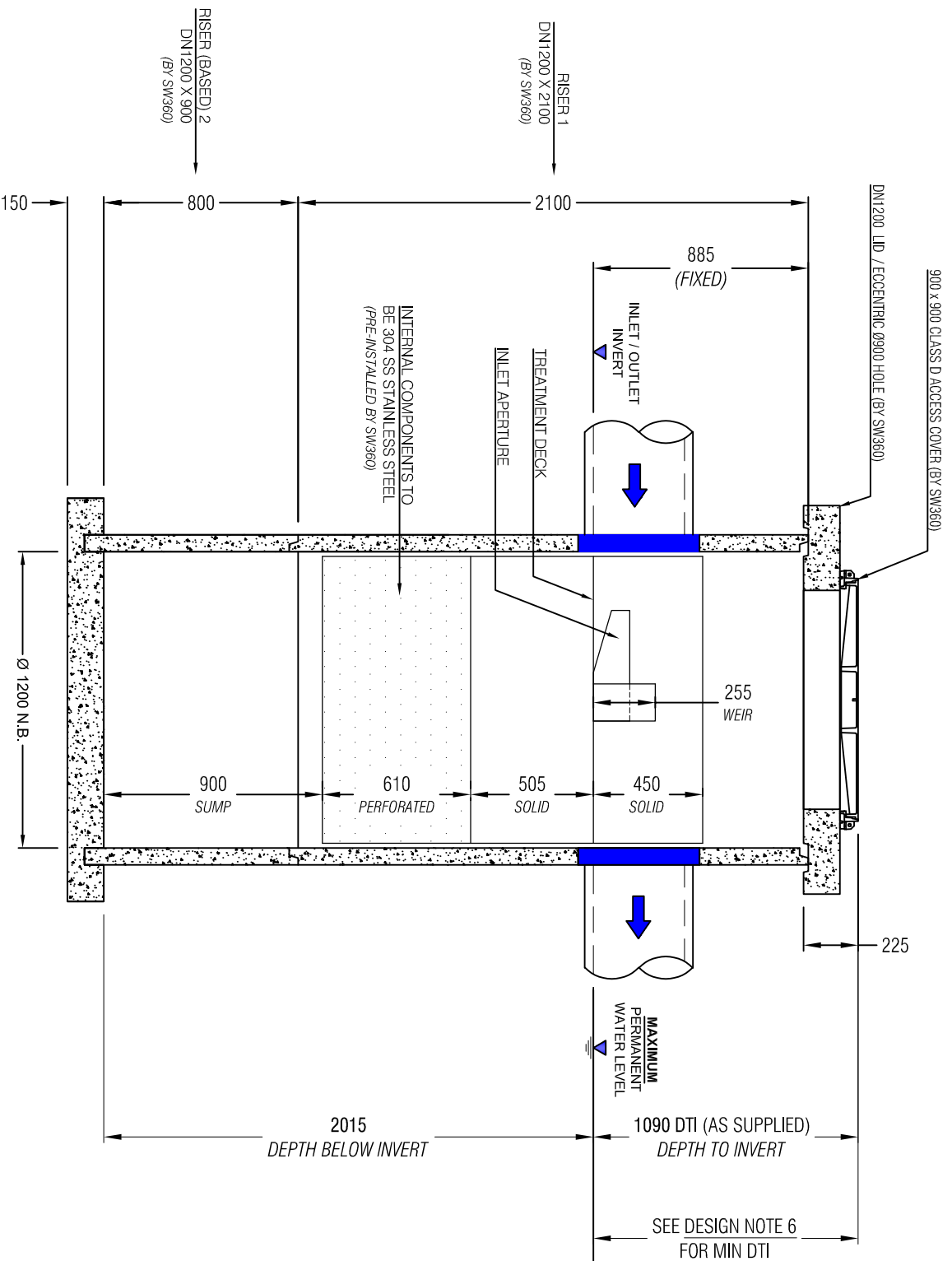
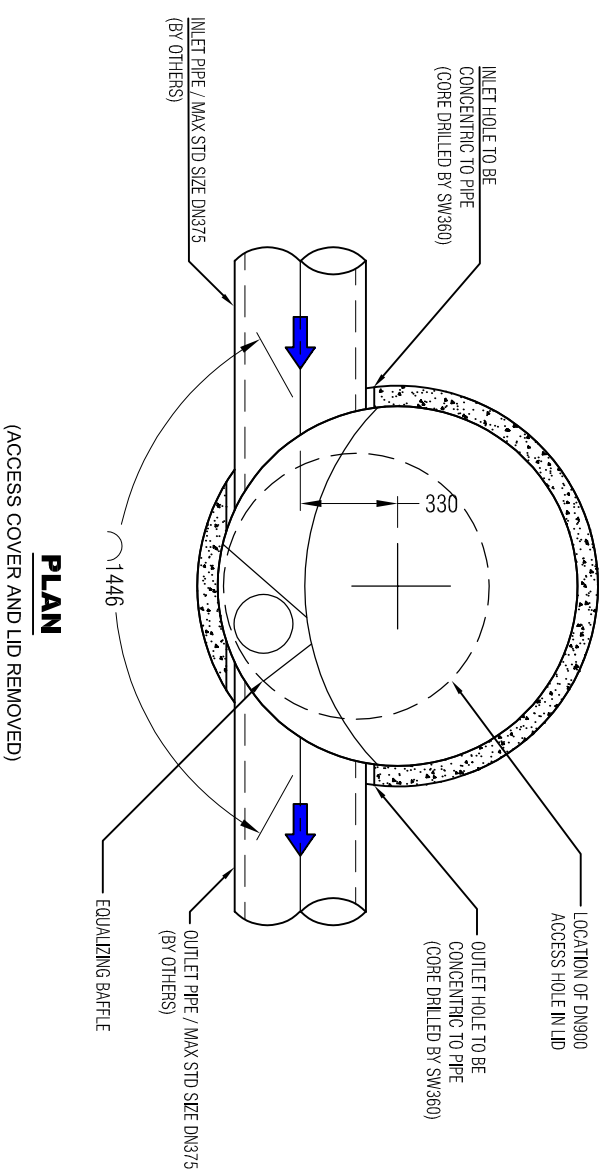


**TO BE COMPLETED BY CUSTOMER / CONTRACTOR**

COMPANY :	P.O. NUMBER :		
SITE ADDRESS :			
SITE CONTACT & PHONE :			
PREFERRED DELIVERY DATE (TBC SW360) :			
FILTER REFERENCE (IF APPLICABLE) :	LID LEVEL (INPUT REQUIRED) :		
IN / OUT PIPE DATA: DN375 (max)	DI.A :	IL :	MATERIAL :
COMPLETED BY :	SIGNED :	DATE :	



**GENERAL NOTES**

- MANHOLE COMPONENTS AND CONCRETE LID FITTED WITH SWIFTLIFT ANCHOR POINTS. SPREADER BAR RECOMMENDED FOR MANHOLE LIFTS.
- UNIT SUPPLIED WITH INLET AND OUTLET HOLES CORE DRILLED.
- SEALING / GROUTING OF MANHOLE COMPONENTS AND PIPES BY CONTRACTOR. ENSURING LOCAL CODES AND REGULATIONS ARE COMPLIED WITH.
- ANY RISERS REQUIRED TO INCREASE THE DEPTH TO INVERT (DTI) FROM THAT AS DRAWN TO BE SUPPLIED BY THE CONTRACTOR.
- FOR A DTI EXCEEDING 3m PLEASE CONTACT **0800STORMWATER**.
- CONTRACTOR TO TAKE APPROPRIATE MEASURES TO PROTECT DEVICE FROM CONSTRUCTION RELATED EROSION RUNOFF.
- BACKFILL, BEDDING AND BUOYANCY DESIGN BY ENGINEER OF RECORD.
- CONCRETE MANHOLE RISERS ARE DESIGNED AND MANUFACTURED IN ACCORDANCE WITH AS/NZS 4088 : 2007
- CONCRETE MANHOLE BASES ARE DESIGNED AND MANUFACTURED IN ACCORDANCE WITH NZS 3101 : 2006 & NZS 3109 : 1997
- CONCRETE LID DESIGNED AND MANUFACTURED TO HN-HC-72
- FOR REQUIREMENTS OUTSIDE OF DRAWING SPECIFICATIONS PLEASE CONTACT **0800STORMWATER**.

**DESIGN NOTES - VC40 (OFF-LINE)**

- WATER QUALITY FLOW THROUGH THE VORTCAPTURE IS A FUNCTION OF TREATMENT REQUIREMENTS (POLLUTANT SIZE), DEVICE LOCATION AND TREATMENT AREA. PLEASE CONTACT **0800STORMWATER** FOR ASSISTANCE IN SELECTING THE MOST SUITABLE SIZE.
- MAXIMUM HYDRAULIC TREATMENT CAPACITY OF THE VC40 IS 39 L/s.
- NO PEAK FLOW TO BE PASSED THROUGH THIS OFF-LINE CONFIGURED DEVICE. AN UPSTREAM BYPASS STRUCTURE IS REQUIRED. REFER TO THE ON-LINE CONFIGURED OPTION TO ACCOMMODATE PEAK FLOWS. CONTACT **0800STORMWATER** FOR DESIGN CLARIFICATION / ASSISTANCE.
- CUSTOM DESIGNS AVAILABLE TO SUIT SITE SPECIFIC CONSTRAINTS. CONTACT **0800STORMWATER** FOR ASSISTANCE.
- 90 DEGREE ORIENTATION AND REVERSE FLOW DIRECTION AVAILABLE ON REQUEST.
- MIN DEPTH TO INVERT WILL BE GOVERNED EITHER BY A MINIMUM DISTANCE OF 300MM FROM CORE HOLE OUTSIDE TO RISER TOP, OR A MIN OF 50MM FROM TOP OF STAINLESS INTERNALS TO UNDERSIDE OF LID, WHICHEVER IS GREATER.

**APPROX WEIGHTS**

DN1200 X 900 MHB: 1500 Kg  
 DN1200 X 2100 RISER (INCL INSERT): 1600 Kg  
 DN1200 CONCRETE LID: 550 Kg

JOB NO :	REV	REVISION DETAIL	DATE
PROJECT :	0	APPROVED	29/09/20
DRN : G.S.			
CKD : K.J.			