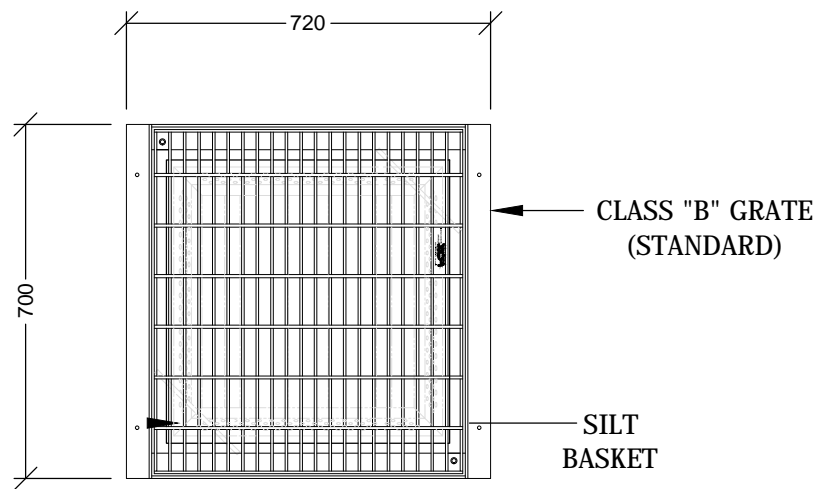
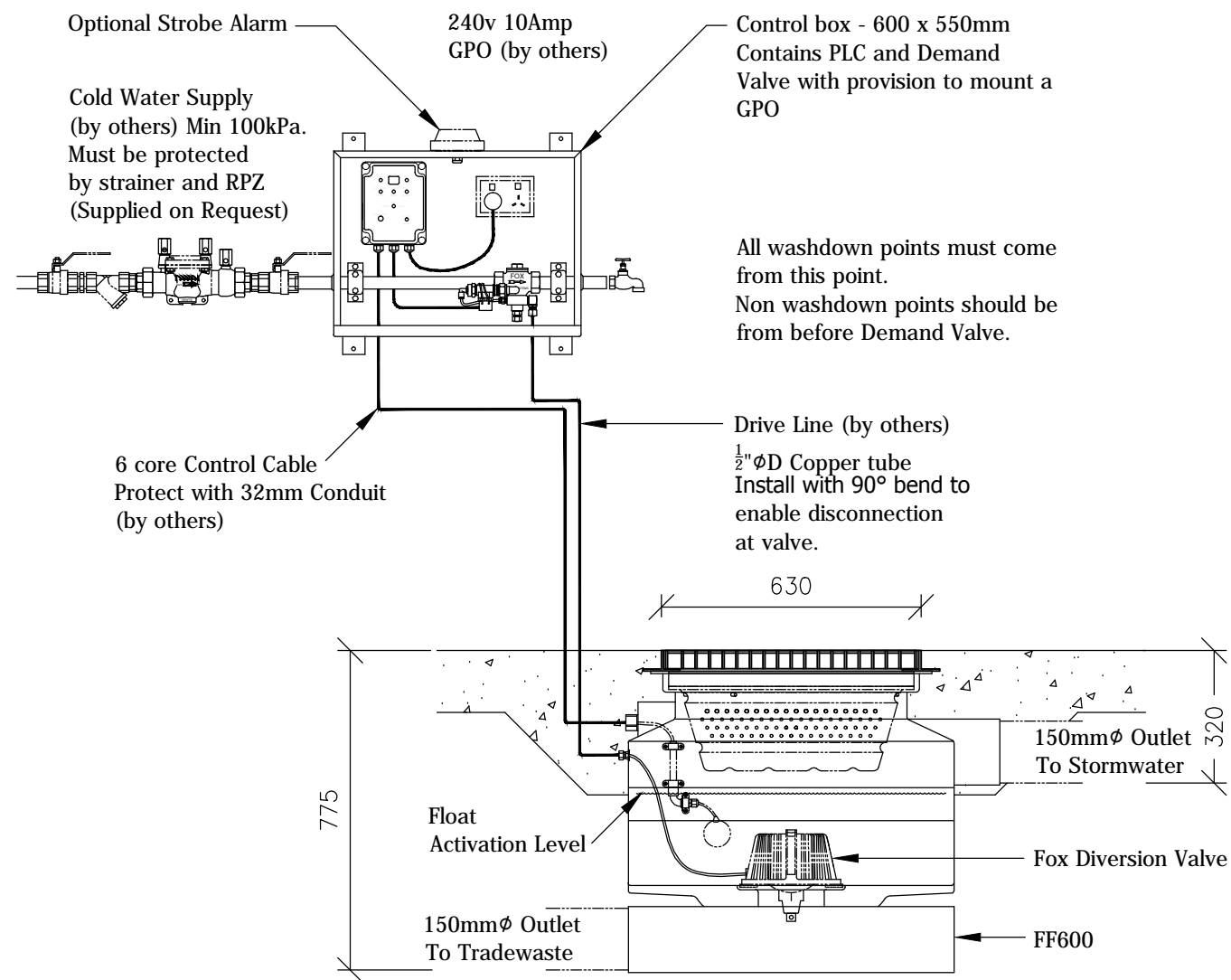


GRAPHIC



PLAN



FOX VALVE DESIGN NOTES

THE FOX™ VALVE FIRST FLUSH DIVERSION SYSTEM (FF600) IS DESIGNED TO DIVERT WASHDOWN AND/OR FIRST FLUSH STORMWATER RUNOFF TO TRADE WASTE TO PREVENT POLLUTION OF DOWNSTREAM WATERBODIES. IT IS DESIGNED TO BE USED IN AREAS WHERE IT CAN NOT BE GUARANTEED THAT THE WASH DOWN AREA WILL BE LEFT FREE OF CONTAMINANTS AT THE END OF A WASHDOWN ACTIVITY.

THE STANDARD CONFIGURATION IS SHOWN WITH 1 DIVERSION VALVE, THE PEAK FLOW RATE CAPACITY IS 20L/S @ 0.5m HYDRAULIC EFFECT. IF THE SITE CONDITIONS EXCEED THIS AN ADDITIONAL VALVE MAY BE REQUIRED. PLEASE CONTACT A SW360 STORMWATER CONSULTANT FOR OPTIONS.

SITE SPECIFIC DATA REQUIREMENTS

STRUCTURE I.D.	
CATCHMENT AREA (m2)	
FIRST FLUSH CAPTURE VOLUME (m3)	
WATER QUALITY FLOW RATE (L/s)	
PEAK FLOW RATE (L/s)	
RETURN PERIOD OF PEAK FLOW (yrs).	
ACCESS COVER TYPE (GRATED, SOLID, OTHER)	

PIPE DATA	R.L.	MATERIAL	DIAMETER
INLET PIPE # 1			
INLET PIPE # 2			
OUTLET PIP			
LID LEVEL		N/A	N/A

AS PER ENGINEER OF RECORD

GENERAL NOTES :

1. STORMWATER360 TO PROVIDE ALL MATERIALS UNLESS NOTED OTHERWISE.
2. FOR SITE SPECIFIC DRAWINGS WITH DETAILED STRUCTURE DIMENSIONS AND WEIGHT, PLEASE CONTACT YOUR SW360 STORMWATER CONSULTANT VIA www.stormwater360.co.nz, OR 0800 STORMWATER, OR sales@stormwater360.co.nz.
3. STRUCTURE SHALL MEET THE APPROVING JURISDICTION TRAFFICKED LOAD REQUIREMENTS. COVER AND FRAME ARE TO BE RATED TO EITHER CLASS B (FOR PEDESTRIAN AREAS) OR CLASS D (TRAFFICKED ROADS) IN ACCORDANCE WITH AS 3996 : 2006.
4. CHAMBER CAPACITY SHALL BE 130L.
5. CHAMBER MATERIAL SHALL BE 6mm MDPE.
6. SILT BASKET CAPACITY SHALL BE 50L WITH 9mm HOLES.
7. FIRST FLUSH CAPTURE VOLUME WORKING IS "AREA OF WASH SLAB(m2) x FIRST FLUSH DEPTH (mm)."
8. ALL RUNOFF IS PRESENTED THROUGH THE GRATED INLET AND A POLYETHYLENE BASKET CAPTURES SILT, SOLIDS AND FREE FLOATING DEBRIS. THIS IS REMOVABLE FOR DISPOSAL OF CAPTURED POLLUTANTS.
9. NO PRODUCT SUBSTITUTIONS SHALL BE ACCEPTED UNLESS SUBMITTED 10 DAYS PRIOR TO PROJECT BID DATE, OR AS DIRECTED BY THE ENGINEER OF RECORD.

INSTALLATION NOTES :

- A. SIZE AND CLASS OF PIPE OR SQUARE KNOCKOUT SIZE TO BE SPECIFIED ON DRAWING BY CLIENT/CONTRACTOR.
- B. AN INSTALLATION AND ASSEMBLY GUIDELINE IS AVAILABLE FROM SW360.
- C. CONTRACTOR TO PLACE THE FF600 CHAMBER IN THE EXCAVATION AND LEVEL. CONNECT PIPEWORK TO THE STORMWATER AND TRADEWASTE OUTLETS WITH RUBBER RING FITTINGS. (IF THE DIVERSION VALVE IS TO BE INSTALLED UNDER THE ORG LEVEL A REFLUX VALVE MAY NEED TO BE INSTALLED UNDER THE DIVERSION VALVE).
- D. CONTRACTOR TO CONNECT THE FOX DEMAND VALVE TO THE MAINS WATER SUPPLY AFTER A LINE STRAINER, FLUSH THE MAINS LINE BEFORE CONNECTING. ALL WASHDOWN EQUIPMENT MUST BE LOCATED BEYOND THE DEMAND VALVE.
- E. CONTRACTOR TO CONNECT THE 1/2" COPPER DRIVE LINE TO THE DEMAND VALVE. INSTALL WITH A 90 DEGREE BEND TO ENABLE THE DICONNECTION AT THE VALVE.
- F. CONTRACTOR TO FLUSH THE 1/2" DRIVELINE THOROUGHLY BEFORE CONNECTING TO THE BLEED VALVE ASSEMBLY AT THE CHAMBER. CONNECT THE DRIVE LINE TO THE COMPRESSION FITTING AT THE CHAMBER ONLY AFTER THE INSTALLER IS SURE IT IS CLEAR OF DEBRIS.
- G. CONTRACTOR TO GENTLY DRAW THE 6 CORE CONTROL CABLE THROUGH THE 32mm CONDUIT TO THE CONTROL PANEL. DO NOT ALLOW THE CONTROL CABLE TO LIE IN THE BOTTOM OF THE CHAMBER DURING THE REST OF CONSTRUCTION AS ONCRETING MATERIAL AND WATER WILL CAUSE DAMAGE.
- H. CONTRACTOR TO BACKFILL AND CONCRETE AROUND THE CHAMBER. BEFORE POURING CONCRETE, THE CHAMBER MUST BE BRACED INTERNALLY TO PREVENT DISTORTION. WHEN POURING CONCRETE AROUND THE CHAMBER MAKE SURE THAT EXCESSIVE CONCRETE DOES NOT DISTORT THE CHAMBER WALLS. DO NOT VIBRATE. DO NOT RAM. BOTH THESE OPERATIONS WILL DISTORT THE CHAMBER WALLS.



0800 STORMWATER
sales@stormwater360.co.nz
www.stormwater360.co.nz

CONDITION OF USE
 © STORMWATER360 2015
 Any unauthorised reproduction of this drawing in part or in full is prohibited

**FOX VALVE
 FIRST FLUSH DIVERSION SYSTEM
 MODEL : FF600
 STANDARD PRODUCT DRAWING**

SCALE : N.T.S. DRG No : FV-FF600-GA

DRAWING	JOB NO :	
1	PROJECT :	
A	DEVICE # :	
	DRN :	R.P. 03.10.16
	CKD :	T.B. 03.10.16